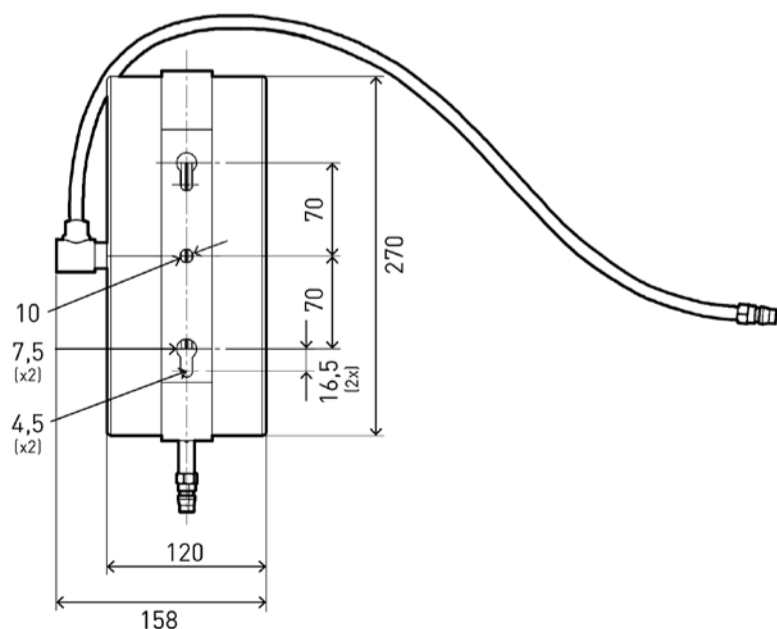
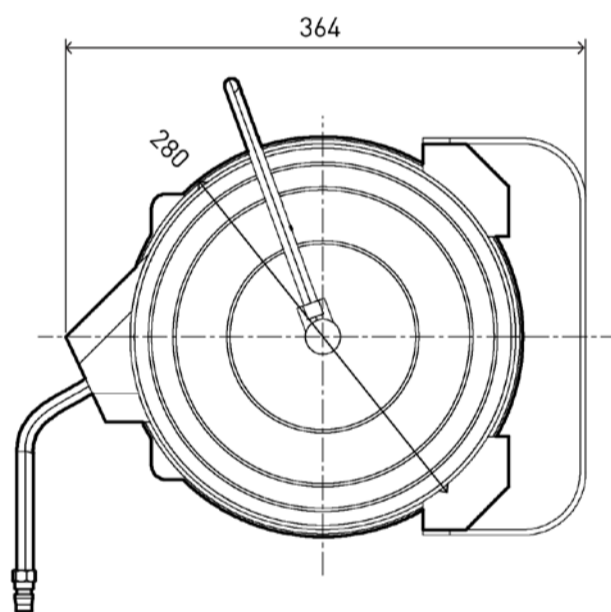


Hose Reel

The AIRnet hose reel comes with a heavy duty reinforced steel casing with stainless steel springs. It is light weight & easy to mount



- PU braid hose
- working pressure range : 10 Bar
- Temperature range : 0 to 60°C
- Safety factor : 4
- Hose length 12 M
- Inlet hose length : 1M
- Fittings with swivel & spring
- Supplied with mounting brackets



Specifications

Inlet Connection ½" Male BSP thread

Outlet Connection ½" Male BSP thread

MOC Fittings Brass

Hose PU Braided Hose

Hose Inlet Diameter 8 MM

Hose Outlet Diameter 12 MM

Length of Hose 12 M

Inlet Hose Length 1 M

Working Temperature 0° C - 60° C

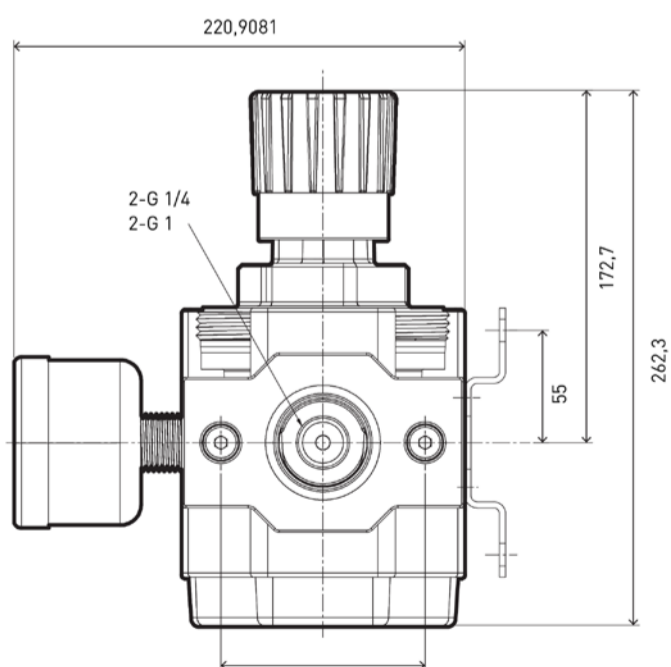
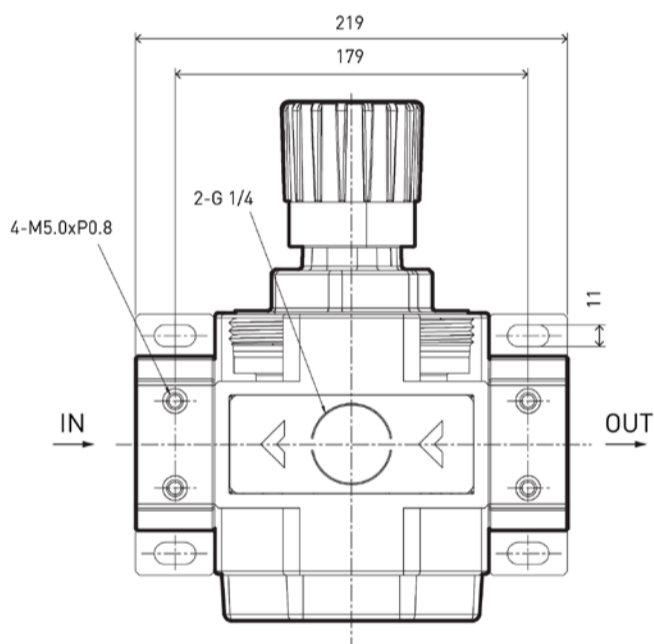
Ordering Information

Partnumber	Weight KG
2811 0856 12	5,11



Pressure Regulator

The AIRnet pressure regulators are precise & very simple to operate. It ensures that the desired pressure is supplied to the point of use machines in the most efficient way .



Specifications

MOC Body	Aluminum die cast
Operating Pressure range	0,5 to 10 bar
Temperature Range	-10°C to 60°C
Standard Accessories	Pressure gauge, mounting bracket, plug , screw (4x)

Ordering Information

Partnumber	AirFlow l/min	Size	Connection Type	Weight KG
2811 1080 00	8000	3/4"	BSP	1,25
2811 1081 00	8000	3/4"	NPT	1,25
2811 2080 00	8500	1"	BSP	1,25
2811 2081 00	8500	1"	NPT	1,25

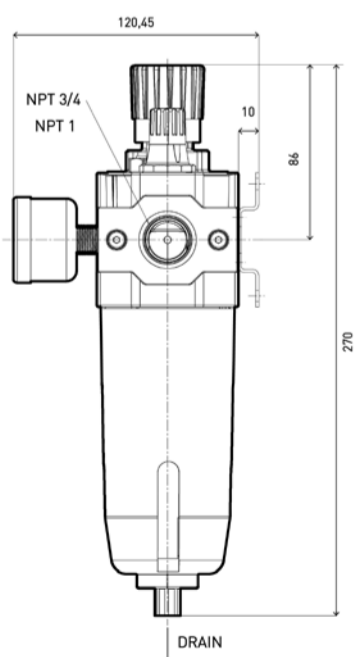
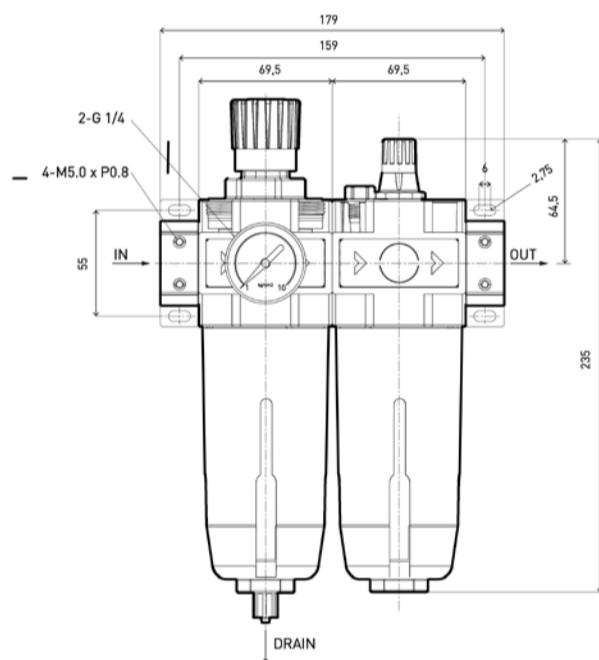
Filter Regulator Lubricator (FRL)



The Filter regulator lubricator unit comes with a **Aluminum die cast body with a polycarbonate bowl.**

The FRL combination unit ensures that

- Downstream equipment's are well protected from water & particles
- The desired pressure is provided to all the pneumatic equipment's
- Controlled quantities of oil is supplied to the moving components to reduce the friction



Specifications

MOC Body	Aluminum die cast
MOC Bowl	Polycarbonate
Filtration	5 Microns
Operating Pressure range	0,5 to 10 bar
Temperature Range	-10°C to 60°C
Standard Accessories	Pressure Gauge, Mounting bracket, Plug, Screw (4x)
Lubricator Bowl Capacity	235 CC
Lubricator Oil	ISO-VG32
Drain	Semi-auto

Ordering Information

Partnumber	AirFlow l/min	Size	Connection Type	Weight KG
2811 1086 00	7940	3/4"	BSP	2,14
2811 1087 00	7940	3/4"	NPT	2,14
2811 2086 00	8200	1"	BSP	2,14
2811 2087 00	8200	1"	NPT	2,14

Filter Regulator (FR)



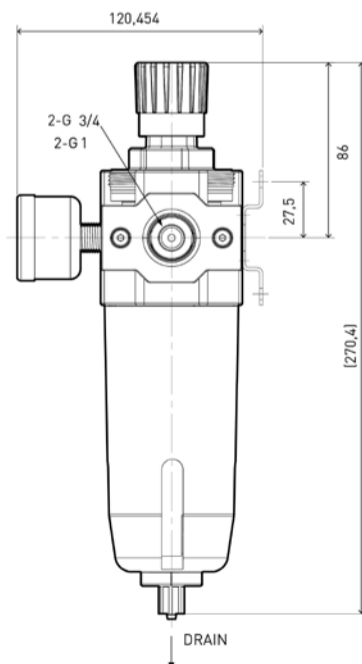
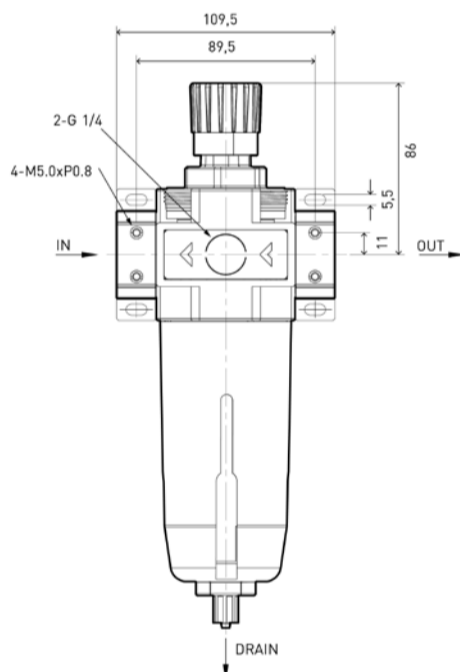
The Filter regulator unit comes with a Aluminum die cast body with a polycarbonate bowl

The FRL combination unit ensures that:

- Downstream equipment's are well protected from water & particles
- The desired pressure is provided to all the pneumatic equipments

Specifications

MOC Body	Aluminum Die Cast
MOC Bowl	Polycarbonate
Filtration	5 Microns
Operating Pressure Range	0,5 to 10 bar
Temperature Range	-10°C to 60°C
Standard Accessories	Pressure Gauge, Mounting Bracket, Plug, Screw (x4)
Drain	Semi-automatic



Ordering Information

Partnumber	Air Flow l/min	Size	Connection Type	Weight KG
2811 1084 00	7.940	3/4"	BSP	1,36
2811 1085 00	7.940	3/4"	NPT	1,36
2811 2084 00	8.200	1"	BSP	1,36
2811 2085 00	8.200	1"	NPT	1,36

Blow Gun

The blow guns are commonly used for cleaning applications . The AIRnet blow gun has a nickel plated aluminum body & nozzle with stainless steel springs .



Specifications

MOC Nickel Plated Aluminum

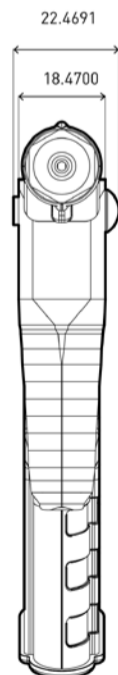
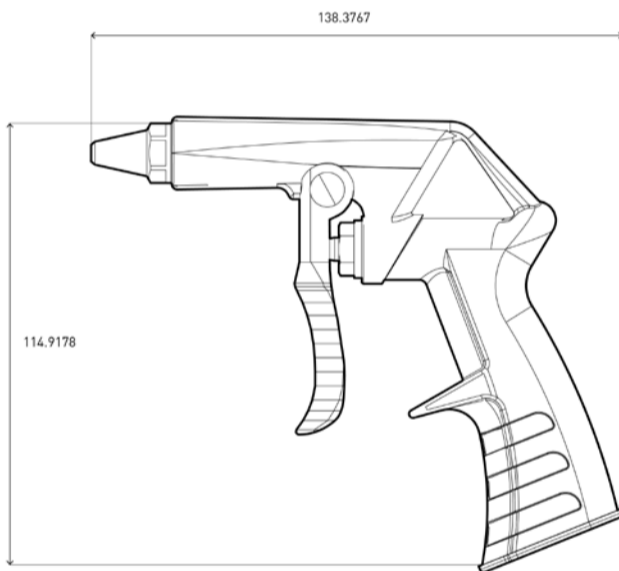
Operating Pressure Range 0 to 15 bar

Temperature Range -25°C to 90°C

Dimension 138 x 115 x 22,5 MM

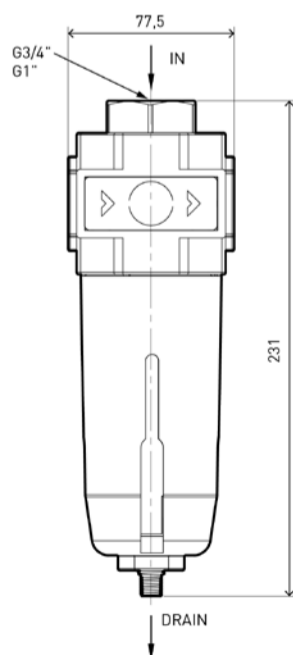
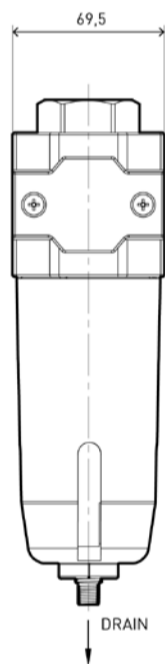
Ordering Information

Partnumber	Connection	Weight
2811 0090 00	1/4" BSP Female	180 g



Automatic Drain

The AIRnet automatic drain series effectively removes the condensate from the system.



Specifications

MOC Body	Aluminum Die Cast
MOC Bowl	Polycarbonate
Operating Pressure Range	0,5 to 10 bar
Temperature Range	-10°C to 60°C

Ordering Information

Partnumber	Size	Connection Type	Weight KG
2811 1082 00	3/4"	BSP	0,5
2811 1083 00	3/4"	NPT	0,5
2811 2082 00	1"	BSP	0,5
2811 2083 00	1"	NPT	0,5

PU Hose



The AIRnet PU hose is the preferred choice when it comes to connect the final point of use accessories to the distribution system . It is made of polyurethane with 3 layers of braided reinforcement.

Available in rolls of
 25 Mts
 50 Mts
 100 Mts

Specifications

MOC Hose	Reinforced Synthetic Rubber Compound
Operating Pressure Range	0 to 20 bar
Temperature Range	-25°C to 80°C
Standard Lengths	25/50/100 Mts Roll
Hose Outlet Diameter	12 MM
Hose Inlet Diameter	8 MM

Ordering Information

Partnumber	Length Mts	Weight KG
2811 0858 25	25	1,94
2811 0858 50	50	3,8
2811 0858 99	100	7,94

Rubber Hose



The AIRnet rubber hose is the preferred choice when it comes to connect the final point of use accessories to the distribution system . It is made of reinforced synthetic rubber which offers excellent resistance to extreme conditions

Available in rolls of
 25 Mts
 50 Mts
 100 Mts

Specifications

MOC Hose	Reinforced Synthetic Rubber Compound
Operating Pressure Range	0 to 20 bar
Temperature Range	-25°C to 80°C
Standard Lengths	25/50/100 Mts Roll
Hose Outlet Diameter	17 MM
Hose Inlet Diameter	8 MM

Ordering Information

Partnumber	Length Mts	Weight KG
2811 0859 25	25	6,14
2811 0859 50	50	11,96
2811 0859 99	100	24,80

Product Name

The AIRnet spiral hose offers excellent flexibility and can be an alternative to hose reels where space is a constraint. The spiral hose is offered in two different lengths of 5M & 10M.



Specifications

MOC Hose Polyurethane (PU)

MOC Fitting Brass

Fitting Type Universal Quick Coupler

Operating Pressure Range 0 to 16 bar

Temperature Range -20°C to 60°C

Standard Lengths 5 M / 10 M

Hose Outlet Diameter 16 MM

Hose Inlet Diameter 10 MM

Ordering Information

Partnumber	Length Mts	Weight KG
2811 1057 05	5	0,82
2811 1057 10	10	1,62